

AXOR™



Door Locks
Door Line DL





Door Line **DL**

Reliability and Durability

AXOR INDUSTRY presents door locks - AXOR Door Line DL. Like all AXOR products, door locks are characterized by reliability and durability in the operation of all the elements, the strength of high-quality materials of which all the components are made, and unique protective surface coating that ensures high resistance to corrosion. Thanks to completely closed steel case, AXOR Door locks have an aesthetic look of design and ensure the protection of all its components against ingress of dust and debris into the mechanism. Door Line DL product range includes multi-point locks, mortise locks and locks for WC.

Easy changing of the door opening direction.

The direction of the latch in the door lock determines the door opening direction. AXOR Door Line DL lock is designed in such a way that the door opening direction can be easily changed (to left or to right) with a simple movement by pulling the latch and turning it 180°. This operation can be done on the lock already installed in the door.

Increasing number of locking points

AXOR Door Line DL product range includes locks with a possibility of increasing number of locking points around the sash allowing you to install additional locking elements, which will ensure tight pressing of the door sash against the frame and improve general structural integrity.

The use of pull handle

AXOR Door Line DL product range includes locks fitted with roller latch for pull handle.

The possibility of using monoblock handle sets with 3 screw holes

The design of AXOR Door Line DL locks allows you to use monoblock handle sets with three fixing points (European standard) that allows you to securely fix the set on the door, thus it ensures longer service life.

Deadbolt in AXOR Door Line DL locks

Key-operated mortise lock has a steel deadbolt. Handle-operated mortise lock and short mortise lock with a dornmass of 35 mm are fitted with a deadbolt with steel pins, thus it makes the door more resistant to break-in.




Security pins

AXOR Door Line DL locks can be produced with mushroom pins in order to improve the lock's anti-burglar properties.

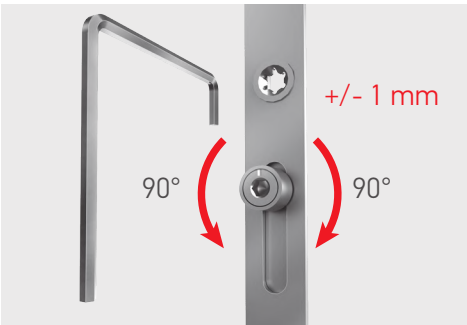
Individual branding

AXOR Door Line DL locks have a special fixing place for branding by installation of a metal plate with your logo into the lock face plate. The logo on the lock is a durable and non-standard advertising that adds distinctiveness to the product and successfully promotes your brand.

Legend

		
Number of screws	Steel pins in deadbolt	Steel deadbolt

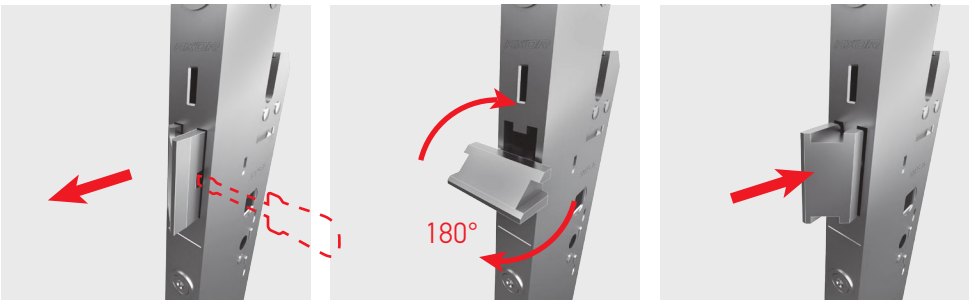
Pin adjustment



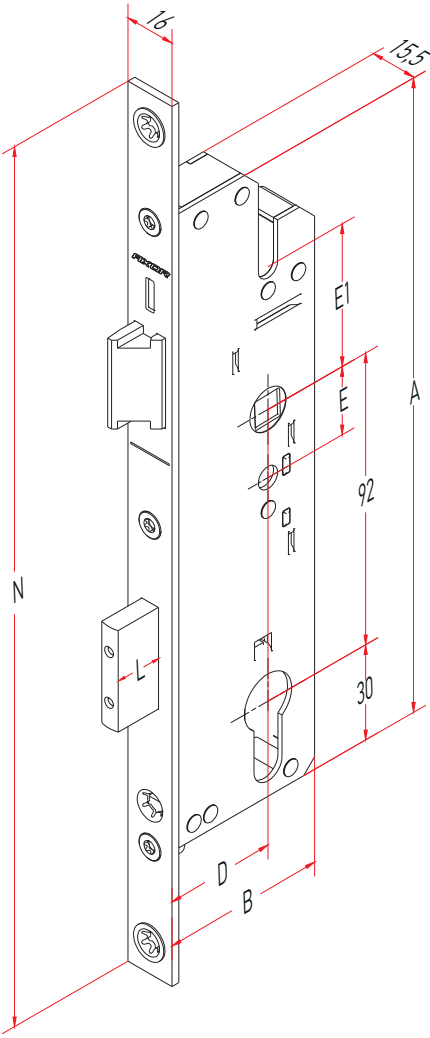
Strike plate adjustment





Knob latch, changing of the door swing direction



Mortise lock



Mortise lock

Part No.	D	N	L	Case dimensions			Set fixing		
				A	B		E	E1	
D1001-25-N03	25	278	13,5	200	43	2	21,5	45	x
D1001-35-N03	35	278	20	200	53	2	21,5	45	•

D - Dommass \ N - Double vent length \ L- Deadbolt projection



Key-operated



European standard

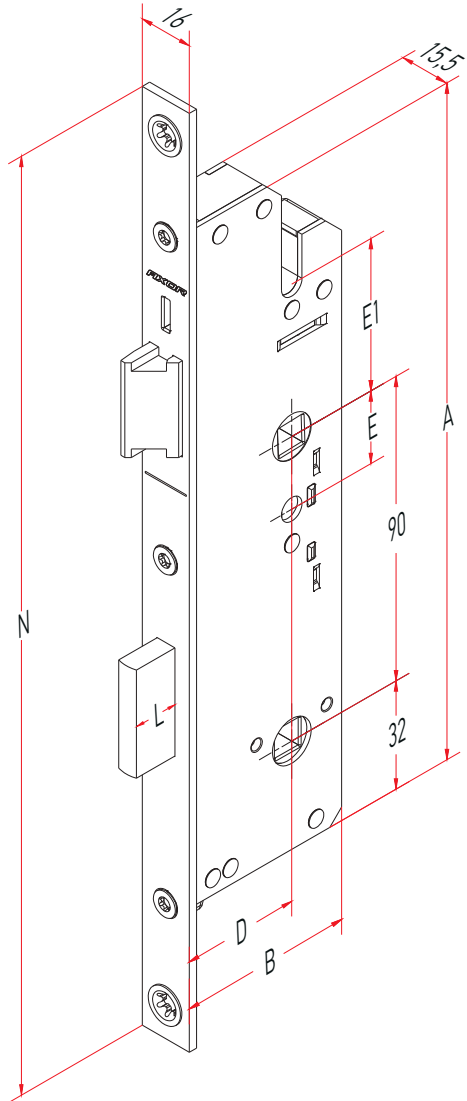


Latch (direction change)





Branding

Mortise lock WC



Mortise lock WC

Part No.	D	N	L	Case dimensions			Set fixing		
				A	B		E	E1	
D1002-25-N03	25	278	13,5	200	43	2	21,5	45	x
D1002-35-N03	35	278	13,5	200	53	2	21,5	45	x

D - Dornmass \ N - Double vent length \ L - Deadbolt projection



European standard

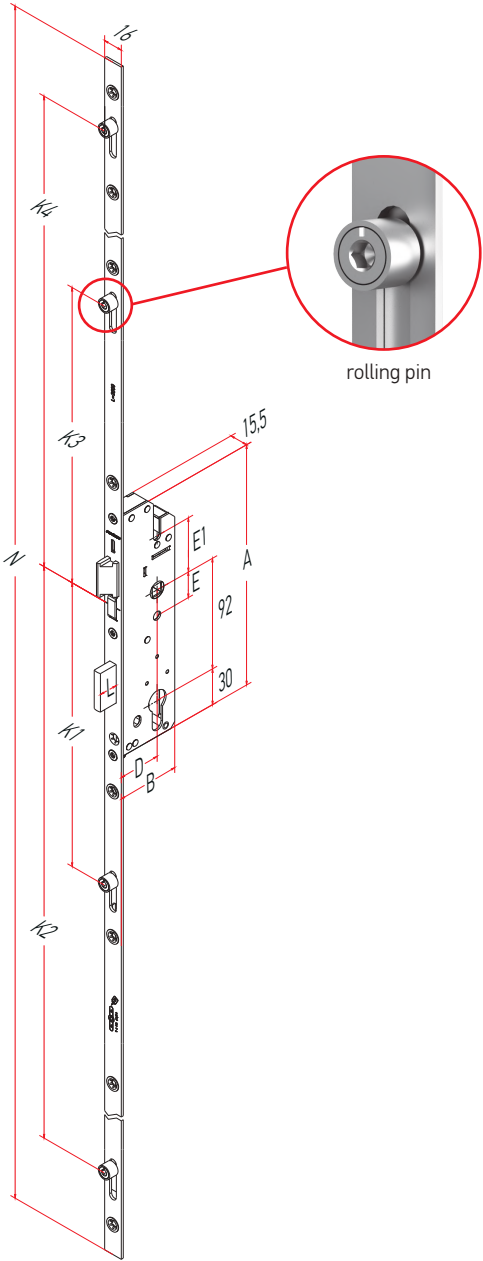


Latch
(direction change)





Branding

Multipoint door lock with handle operated



Multipoint door lock with handle operated

Part No.	D	N	L	Case dimensions			Set fixing		Locking pins arrangement				
				A	B		E	E1	K1	K2	K3	K4	
D1003-25-N03	25	1600	13,5	200	43	8	21,5	45	228	928	548	-	•
D1003-35-N03	35	1600	20	200	53	8	21,5	45	228	928	547	-	•
D1004-25-N03	25	1800	13,5	200	43	9	21,5	45	228	928	347	747	•
D1004-35-N03	35	1800	20	200	53	9	21,5	45	228	928	347	747	•
D1005-25-N03	25	2000	13,5	200	43	10	21,5	45	228	928	347	947	•
D1005-35-N03	35	2000	20	200	53	10	21,5	45	228	928	347	947	•

D - Dormmass \ N - Double vent length \ l - Deadbolt projection



Handle-operated



European standard



Latch (direction change)



Branding

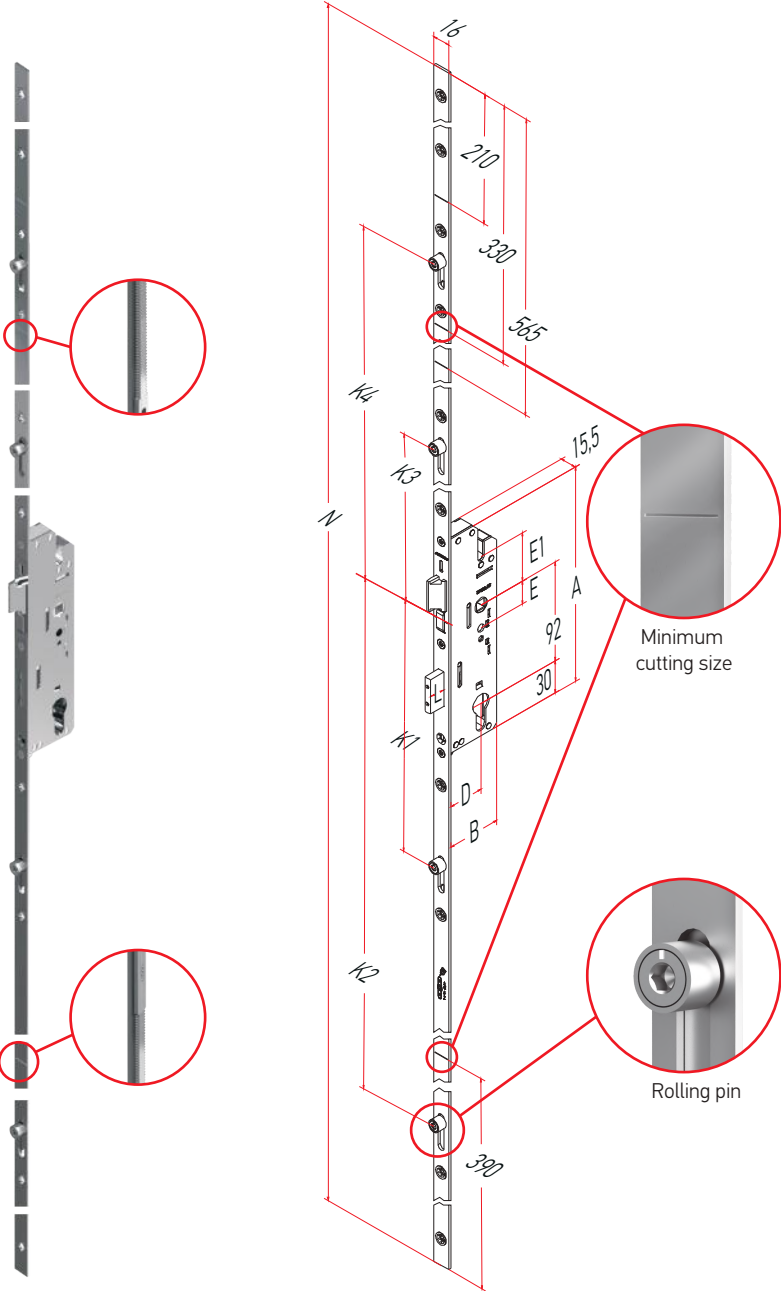


Rolling pin





Security pin

Extendable multipoint door lock with handle operated



Extendable multipoint door lock with handle operated

Part No.	D	N	L	Case dimensions			Set fixing		Locking pins arrangement				
				A	B		E	E1	K1	K2	K3	K4	
D1006-25-N03	25	2100	13,5	200	43	13	21,5	45	228	773	272	832	•
D1006-35-N03	35	2100	20	200	53	13	21,5	45	228	773	272	832	•

D - Dornmass \ N - Double vent length \ L - Deadbolt projection



Handle-operated



European standard



Latch (direction change)



Branding

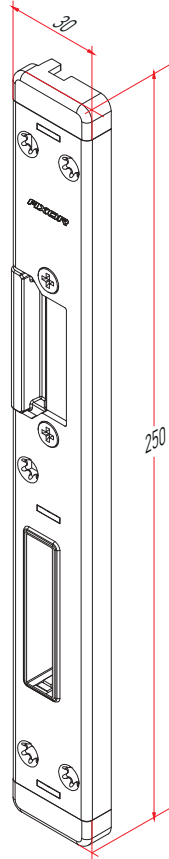


Rolling pin



Security pin

Locking plate



Part No.	Compatible profile
D6001-13-L03 \ D6001-13-R03	WDS, Veka, Aluplast
D6002-13-L03 \ D6002-13-R03	KBE, Gealan
D6003-13-L03 \ D6003-13-R03	Rehau
D6004-13-L03 \ D6004-13-R03	Wintech 532
D6005-13-L03 \ D6005-13-R03	Deceuninck
D6006-09-L03 \ D6006-09-R03	KBE

AXOR™



AXOR INDUSTRY
32, Truda Avenue, Dnipro,
49041, Ukraine
tel. / fax: +38-056-766-0-766
www.axorindustry.com
2017